

## Variable Frequency Ultrasonic Cleaner



This M-120 Variable Frequency Ultrasonic Cleaner device is an automatic equipment, specially used for cleaning industry. It includes 1 ultrasonic cleaning tank with Siemens HMI to achieve user-friendly interface for parameters settings, Loading/Unloading Platform and oscillation system. It is developed based on the advanced Full Bridge Phase Shift technology and equipped with LCD display, timer, heater and so on, easy to operate and no need to debug. It is widely used in metal parts, auto parts, electronics and medical industries etc.

## China Variable Frequency Ultrasonic Cleaner Manufacturers and Suppliers

### 1.Variable Frequency Ultrasonic Cleaner Introduction

This M-120 ultrasonic cleaning device is an automatic equipment, specially used for cleaning industry. It includes 1 ultrasonic cleaning tank with Siemens HMI to achieve user-friendly interface for parameters settings, Loading/Unloading Platform and oscillation system. It is developed based on the advanced Full Bridge Phase Shift technology and equipped with LCD display, timer, heater and so on, easy to operate and no need to debug. It is widely used in metal parts, auto parts, electronics and medical industries etc.

Clangsonic ultrasonic cleaner are mainly used in industry. Size and power can be customized by your request.



Clangsonic provides varies of capacities of ultrasonic cleaner. Please contact us for customized tank size.

## 2.Variable Frequency Ultrasonic Cleaner Parameter (Specification)

Name	Automatic Ultrasonic Cleaner
Model	M120-1
Capacity	120
Ultrasonic Frequency	28/68kHz, 40/80kHz, 40/130kHz, 80/130kHz
Ultrasonic Power	2000W
Heating Power	6000W
Ultrasonic Power Adjustable	Ultrasonic Power Adjustable
Heating Temperature	30-80°C
Timing	0-60min. or Normally Open
Inner Tank Size	650x465x487mm
Basket Size	570x366x340mm
Overall Size	570x366x340mm
Power Supply	380V/50Hz, 3 Phase 5 Wire
Power Supply Cable Length	3m
SUS Basket	√
SUS Cover	√
Circulation System	Optional
Oil Skimmer	Optional

## 3. Variable Frequency Ultrasonic Cleaner Features and Application

1. Automatic cleaning and loading/unloading
2. Siemens centralized control system, easy to operate and use flexibly
3. Adopting Siemens, Schneider and other famous brands for electrical components in master control system
4. Ultrasonic tank with TU ultrasonic generator for cleaning more thoroughly
5. Working time, heating temperature and power level etc on each tank can be set by user
6. Material SUS304 imported from South Korea POSCO

Application:

The ultrasonic cleaning machine is suitable for cleaning circuit boards, bearing components, optical lenses, motorcycle part, ion plating part, electroplating parts, audioprefixes, clock parts, semiconductor wafers, magnetic materials, polyester.

### 1. Jewelry (Jewels, Jade, Gold and Silver)



### 2. Auto parts (Cylinder Block, Bearing, Valvebody and so on)



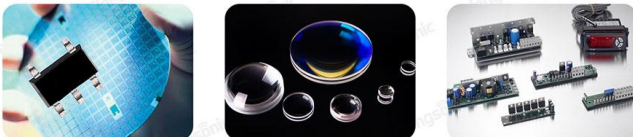
### 3. Precision parts (Mobile Accessories, Watch parts)



### 4. Material (Steel, Cooper, Plastic, )



### 5. Optical and electronics (Semiconductor, Optical lens, Electronic parts, )

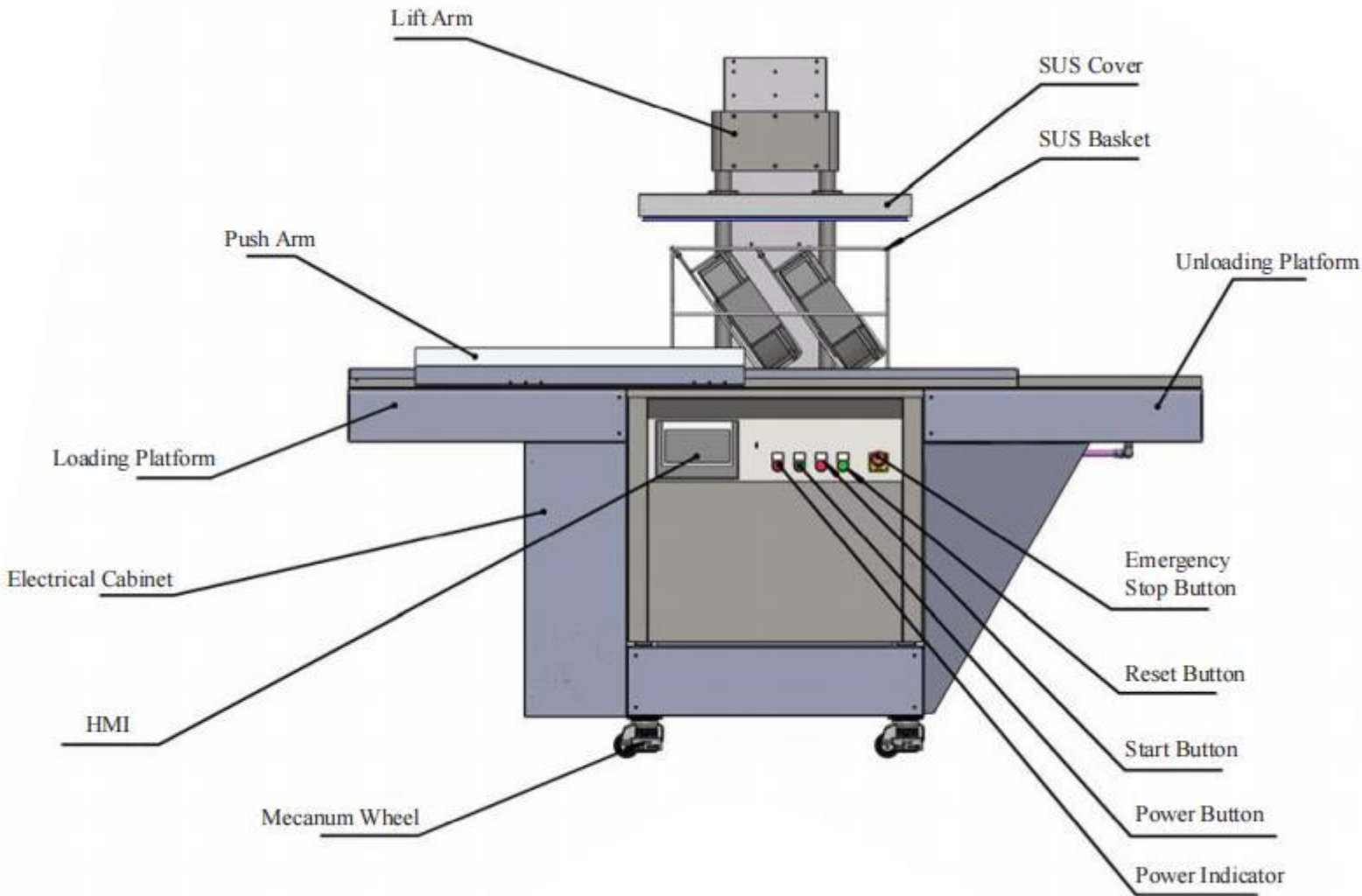


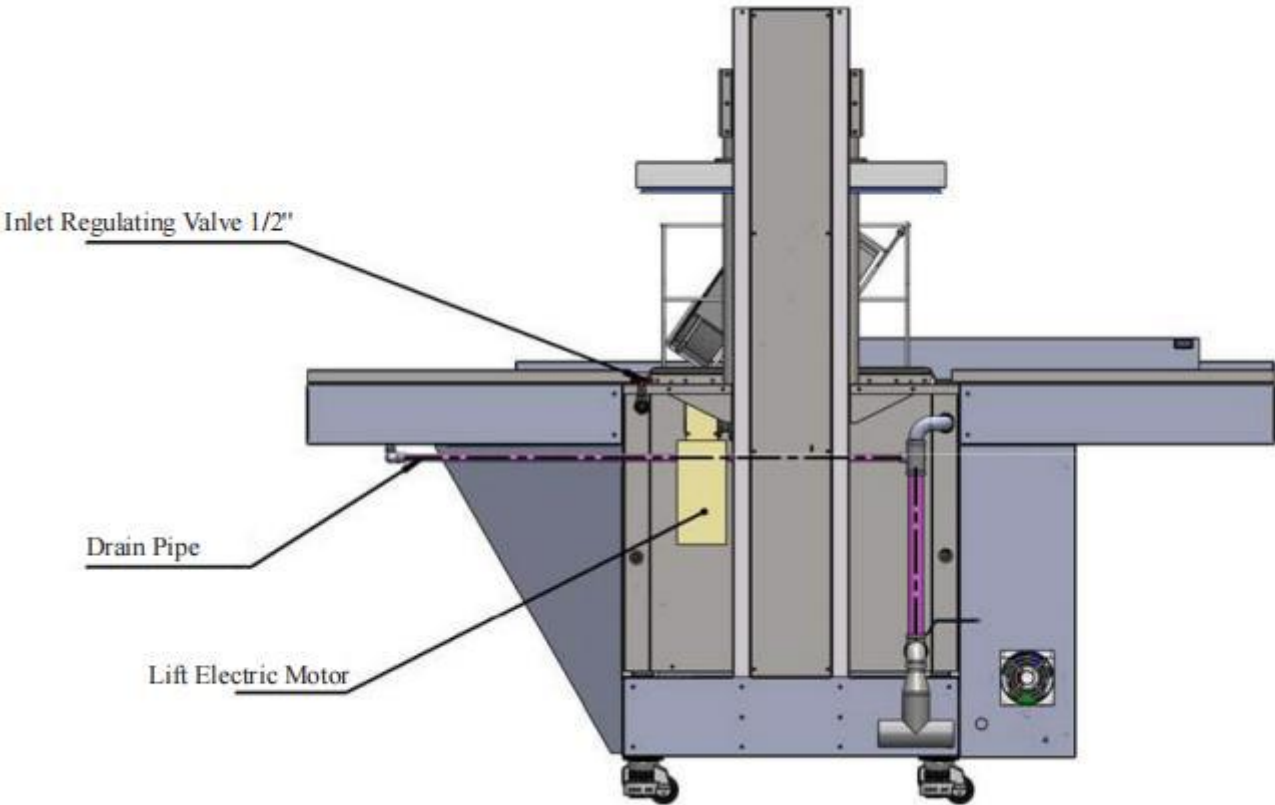
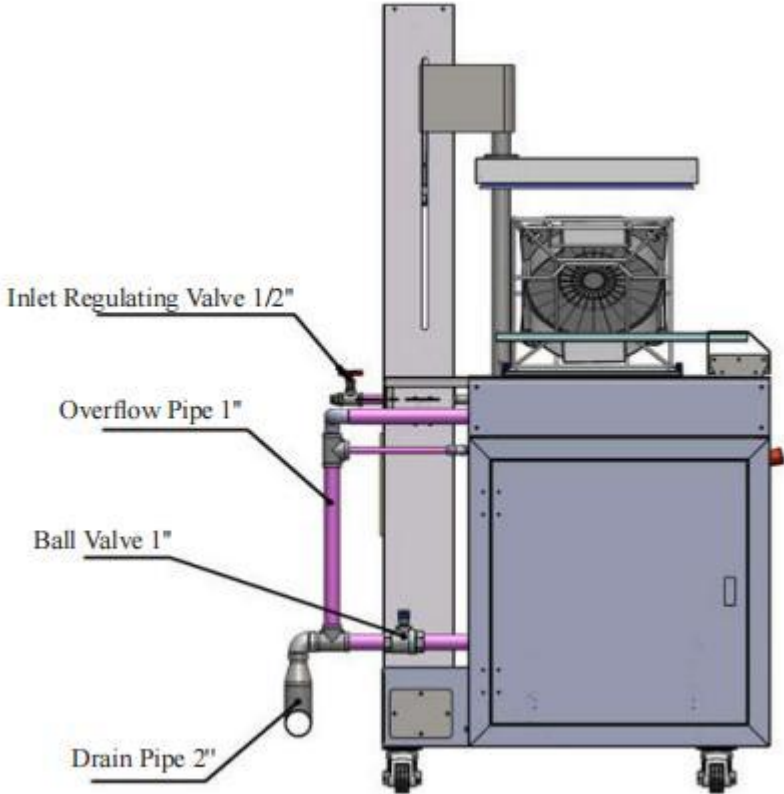
### 6. Appliance Application (Fruit, Stainless Steel Cutlery, Crockery)



## 4. Variable Frequency Ultrasonic Cleaner Details Images







## 5.Variable Frequency Ultrasonic Cleaner Company Qualification



Yuhuan Clangsonic Ultrasonic Co., Ltd. is a professional engaged in ultrasonic transducer, ultrasonic shock box, ultrasonic (generator) power and ultrasonic equipment research and application of the manufacturer.

Since 2003 the company since its establishment, unswervingly adhere to the higher quality and better service as our ultimate goal.

Our products are exported to the world more than 40 countries and regions. To provide customers with a full range of ultrasonic products and solutions, so that waves of the company to become a global customer real partners.



The company has an effective construction area of over 6,000 square meters, with imported Tian Tian, Baichao sheet metal bending machine, KUKA robot, as well as the Swedish fuse factory, and CNC sawing machine, CNC lathe, CNC milling machine and other equipment, making the product more reliable.

### Visit Factory



### Workshop



### Exhibition





6.Variable Frequency Ultrasonic Cleaner Deliver, Shipping and Serving







The packing is adopting exportable wooden box or pallet, wrapped with moisture-proof material which can protect the machine from dust and moisture during sea shipment.

CLANGSONIC

## Shipping & Payment

Started working again,Started working again,Started working again.



### 7. FAQ

#### 1. Are you manufacturer or trading company?

We are manufacturer. All the core components (ultrasonic transducer, ultrasonic generator) are home-made by ourselves.

#### 2. Do you accept OEM and ODM?

Yes, we also have profession R&D teams (ultrasonic transducer team, ultrasonic generator team and mechanical design team) to responds your special needs quickly.

#### 3. Delivery time

Standard products can be delivered within 7 working days. Customized machine depend on the design.

**4. Warranty**

We guarantee quality of the products for a period of 1 year. If any quality problem within warranty, we'll provide free spare parts or repairing service.

**5. Do you provide trial cleaning service?**

Yes, you're welcome to send the workpieces for trial cleaning. We'll send you video and report about the test. It's free service.

**6. Can you provide ultrasonic transducer or generator if any failure?**

Yes, ultrasonic transducer and ultrasonic generator are designed and manufactured by ourselves. We can send the right parts quickly for replacement.

**7. Payment Methods?**

T/T ,L/C, D/P ,D/A, West Union , Paypal, MoneyGram ,Escrow .

**8. Which frequency and power is suitable for our workpiece?**

Please contact us and provide details as specific as you can. Information includes: the size, material, weight and dirt of your workpiece and cleaning tank dimension etc.