



Ultrasonic Piezo Transducer

The ultrasonic piezo transducer is the core component of the ultrasonic device, and its parameter characteristics determine the performance of the entire device. The ultrasonic piezo transducer is a commonly used sandwich transducer in addition to the magnetostrictive structure.

China Ultrasonic Piezo Transducer Manufacturers and Suppliers

1.Ultrasonic Piezo Transducer Introduction

The ultrasonic piezo transducer is a device that converts electrical energy to mechanical energy (sonic vibration) using the piezoelectric effect of piezoelectric ceramics. The high-pressure cavitation bubbles generated by the cavitation effect in the water will quickly peel off the dirt on the surface of the object to be cleaned, achieving the cleaning effect, the advantages of ultrasonic cleaning, and high cleanliness. The quality of the transducer depends on the material and the manufacturing process. The performance and service life of the same ultrasonic piezo transducer of different manufacturers are very different. Therefore, it is important to choose a professional transducer manufacturer.

Clangsonic company

Sandwich-type

High mechanical quality

High electro-acoustical efficiency

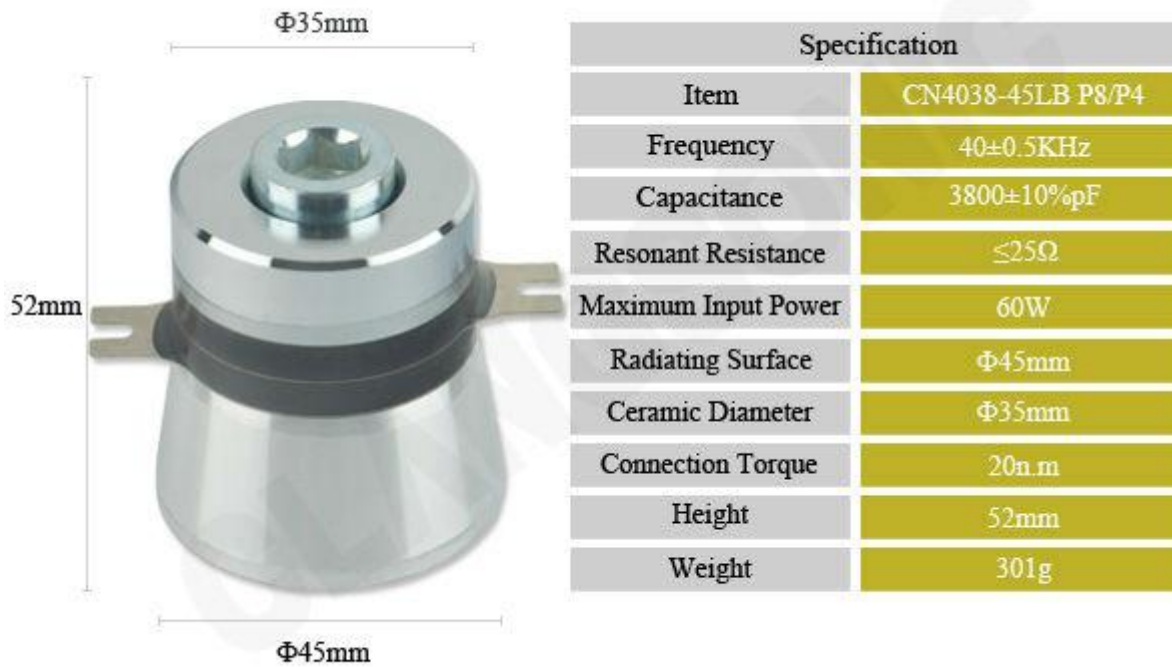
+

Low heat generation

The mechanical connection
of the piezoelectric elements
assures a large amplitude output

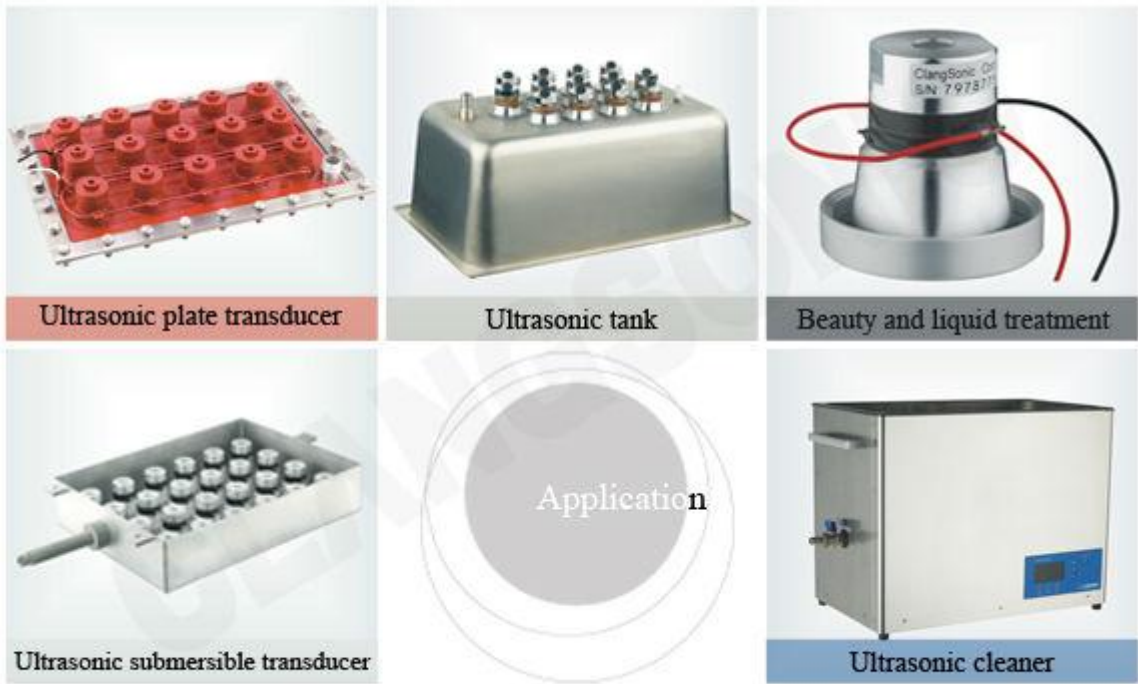


2.Ultrasonic Piezo Transducer Parameter (Specification)



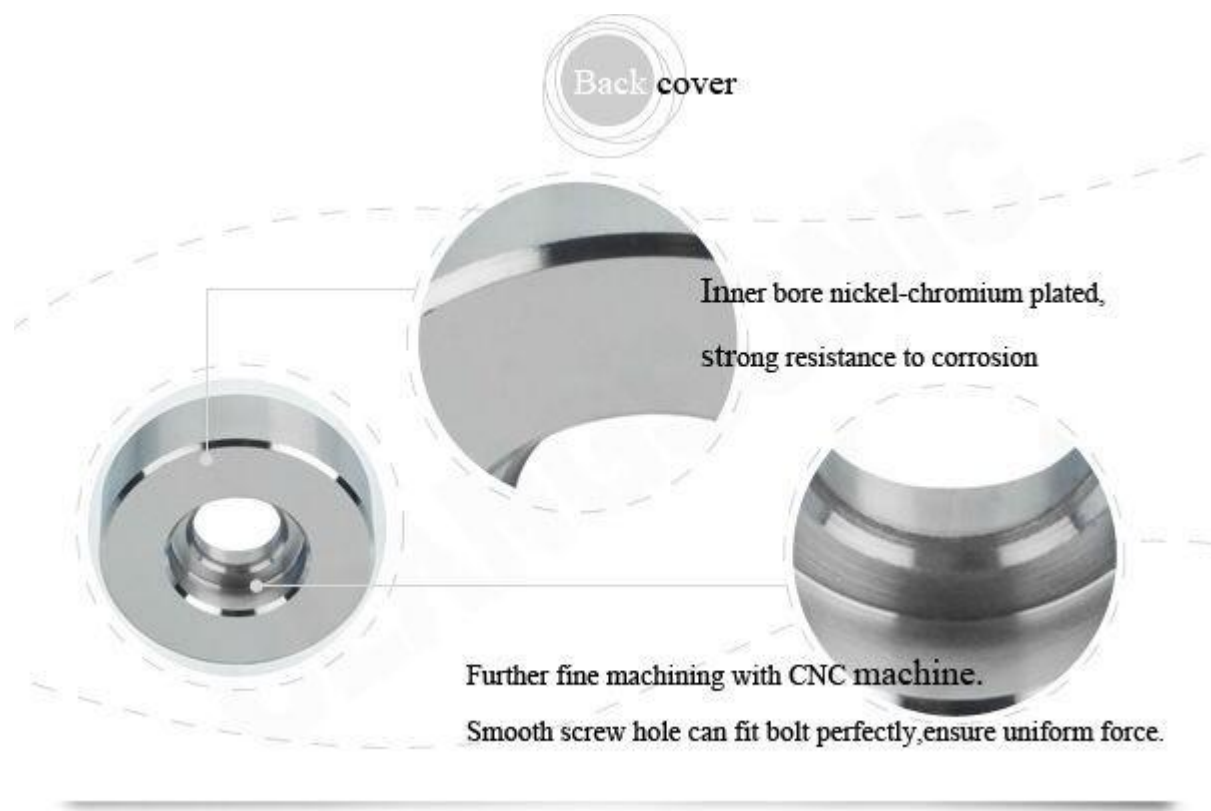
3. Ultrasonic Piezo Transducer Features and Application

1. High mechanical quality and excellent electro-acoustic conversion efficiency, providing a high output amplitude.
2. Piezoelectric element offer a high speed of vibration. Through bolt-on mounting, mechanical intensity and amplitude have been improved.
3. Having steady output amplitude even the load markedly changed.
4. Extended usin temperature, ensuring good amplitude linearity. Lower resonant impedance, ensuring high conversion efficiency.
5. Bolt-on mounting gives the fast, easy installation and high reliability.
6. Special pressure resistance, insulation, ceramic chip crack detection to avoid heat damage of transducer
7. Diamond cutter head processing, better precision
8. Grinding process strive to create sub mirror state
9. The thickness of ceramic sheet is 5mm, with many holes, easy to locate

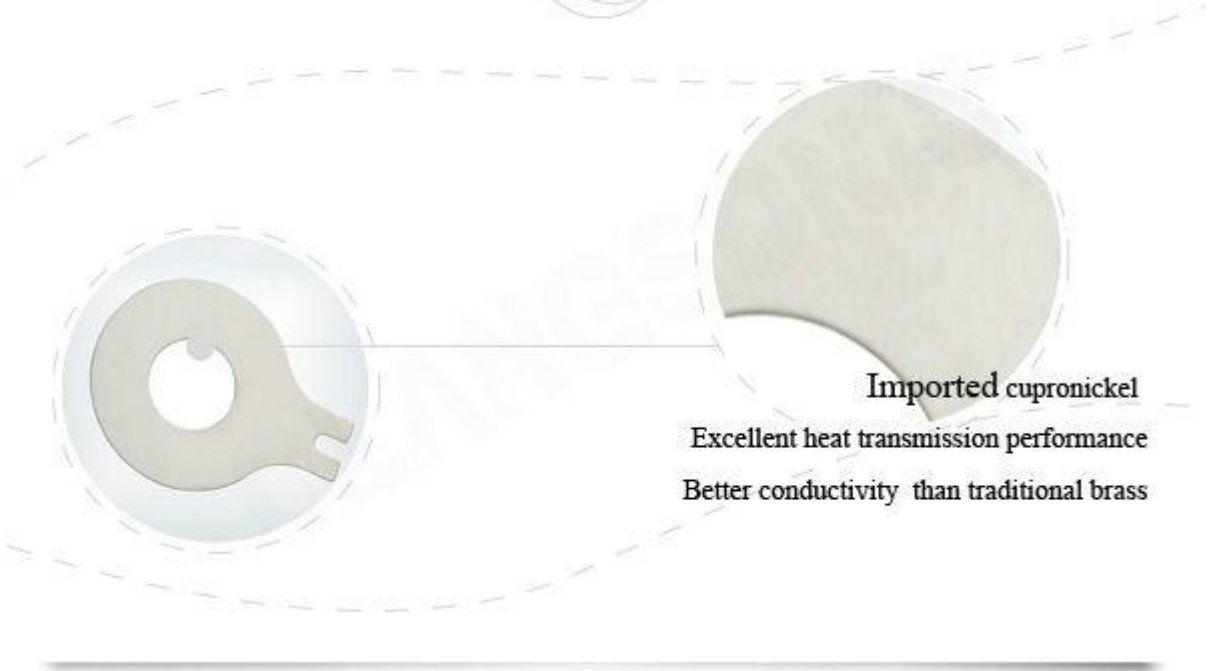


4. Details Images



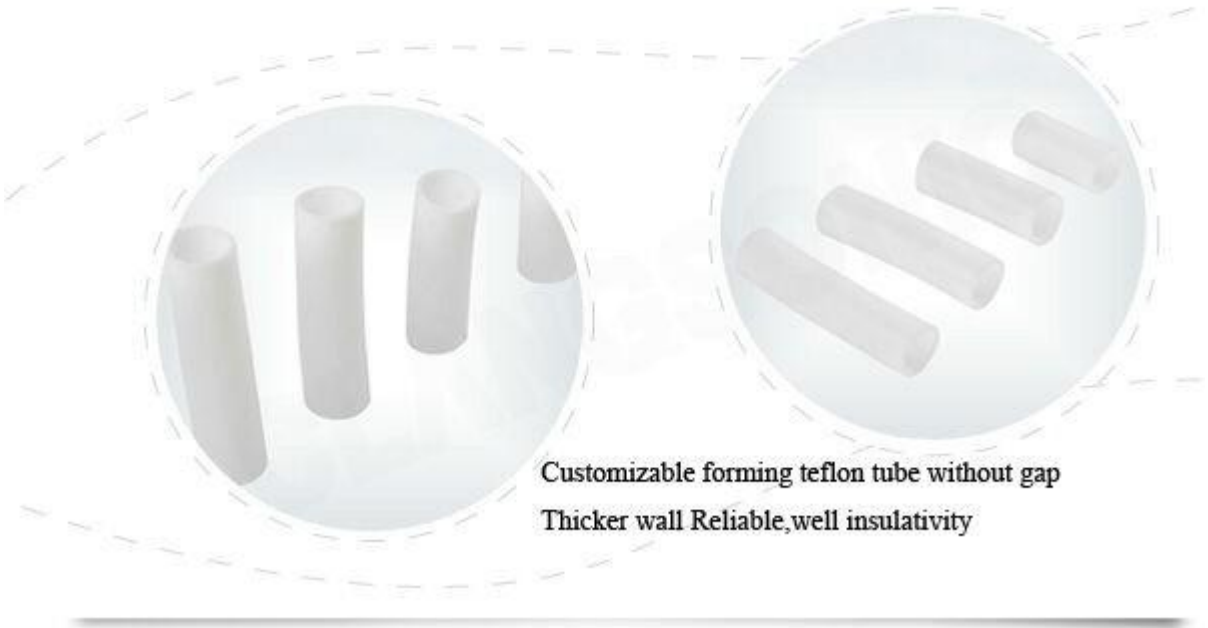


Electrode plate



Imported cupronickel
Excellent heat transmission performance
Better conductivity than traditional brass

Insulation tube



Customizable forming teflon tube without gap
Thicker wall Reliable, well insulativity



5. Company Qualification

clangsonic

Yuhuan Clangsonic Ultrasonic Co., Ltd. is a professional engaged in ultrasonic transducer, ultrasonic shock box, ultrasonic (generator) power and ultrasonic equipment research and application of the manufacturer.

Since 2003 the company since its establishment, unswervingly adhere to the higher quality and better service as our ultimate goal.

Our products are exported to the world more than 40 countries and regions. To provide customers with a full range of ultrasonic products and solutions, so that waves of the company to become a global customer real partners.



The company has an effective construction area of over 6,000 square meters, with imported Tian Tian, Baichao sheet metal bending machine, KUKA robot, as well as the Swedish fuse factory, and CNC sawing machine, CNC lathe, CNC milling machine and other equipment, making the product more reliable.

Visit Factory



Workshop



Exhibition





6. Deliver, Shipping and Serving

Export carton and other required package for Clangsonic ultrasonic transducer.
Quantity less than 5pcs, packed with EPE. More than 5pcs, packed with EPE and cartons.

CN4038-45LB	
Quantity(pcs)	60
N.W.(kgs)	18.1

G.W.(kgs)	20
Dimensions(L*W*H)(cm)	39*34*18



Moistureproof and dustproof film bag
01



Shockproof EPS board
02



Outer box for double-protection
03



Sealed with multilayer adhesive tape
04



Pack carton in dampproof film bag
05



Ready to ship
06

CLANGSONIC

Shipping & Payment

Started working again,Started working again,Started working again.



7. FAQ

(1)Q: Do you accept customization?

A: Yes, we have professional R&D teams to respond your special requirements quickly.

(2)Q: How do you ship goods

A: It depends on the order quantity. For small goods, usually we send it by International

Express (TNT, DHL, UPS, FEDEX, EMS etc). Big order can be sent by air or sea.

It's also available to send goods to your Chinese appointed forwarder.

(3)Q: Delivery time

A: Standard products can be delivered within 7 working days. Customized products depend on the design, customized products are based on the order quantity.

(4)Q: Payment Method

1. T/T
2. L/C
3. D/P
4. D/A
5. West Union
6. Paypal
7. MoneyGram
8. Escrow

(5)Q: Warranty

100% brand new when leaving the factory. The seller guarantee quality of the products (excluding wearing parts) for a period of 1 years from the date of trial run finish under our technician's guidance. If any quality problem within warranty, we'll provide free spare parts or repairing service. Clangsonic provides 18 months warranty from the date of factory under normal use.

The manufacturer shall not be responsible for any direct or indirect loss, compensation and repair due to improper use, installation, misuse or abnormal temperature, dust and corrosive atmosphere etc.

Below are not covered by Warranty:

1. Cavitation erosion on ultrasonic tank or surface of submersible transducer, which is a normal phenomenon during ultrasonic cleaning.
2. Damage caused by abuse, improper installation, alternation, overload or neglect of precautions during the warranty, the device. Will be repaired or replaced by professional. Clangsonic reserves all the right.

(6)Q: How do you guarantee the quality?

A: We have strict QC team for Full Check. During production, there are 3 times inspections and another inspection before packing.

Welcome your coming or third party for examination before shipment.

(7)Q: Have you matched ultrasonic generator?

A: Yes, ultrasonic transducer and ultrasonic generator are all designed manufactured by ourselves. We can ensure the optimum tuning between ultrasonic transducer and generator.

(8)Q: Can you provide ultrasonic transducer or generator if any failure?

A: Yes, ultrasonic transducer and ultrasonic generator are designed and manufactured by ourselves. We can send the right parts quickly for replacement.

(9)Q: Which ultrasonic frequency and power are suitable for our workpiece?

A: Please contact us and provide details as specific as you can. Information includes: the size, material, weight and dirt of your workpiece and cleaning tank dimension etc.

