

Dual Frequency Ultrasonic Cleaner

Dual frequency ultrasonic cleaner is economy, low operating costs and easy to operate, man-machine dialogue model to help you quickly and easily complete the cleaning task. The installation is only a few steps, it can be placed in almost all production areas.



China Dual Frequency Ultrasonic Cleaner Manufacturers with High Quality

1. Dual Frequency Ultrasonic Cleaner Introduction

Dual frequency ultrasonic cleaner is economy, low operating costs and easy to operate, man-machine dialogue model to help you quickly and easily complete the cleaning task. The installation is only a few steps, it can be placed in almost all production areas.

We focus on developing and research easy operating ultrasonic cleaner. To ensure customers have benefits from high-tech ultrasonic cleaning technology. M series ultrasonic cleaning equipment can expand or refit on existing cleaning equipment.

Clangsonic fully automatic ultrasonic cleaning equipment, available in 5 different standard size, that is single tank 50L/85L/120L/160L/220L, other sizes can be made as requests. Ultrasonic frequency available in both single frequency and dual-frequency 25/45kHz, 28/68kHz, 40/80kHz, 40/130kHz and 80/130kHz. The unit is equipped with an oscillation device for the cleaning basket which assists and improves the cleaning effect of the ultrasound, and which also provides a drip off support for the stainless-steel basket. The units of Clangsonic M series can be combined with a rinsing tank (with /without heating) and a hot air dryer of the relevant size. The units are delivered including support frame.



**Automatic Multi-Stage
Ultrasonic Cleaning Machine**
M series

Clangsonic provides varies of capacities of ultrasonic cleaner. Please contact us for customized tank size.

2. Dual Frequency Ultrasonic Cleaner Parameter (Specification)

Name	2-Tank Ultrasonic Cleaning Line
Model	M612
Overall Size	2500x1620x1585mm
Single Tank Inner Size	500x350x350mm
Basket Size	Customizable
Basket Loading Capacity	25KG
#1 Tank	40/130kHz Ultrasonic Cleaning
#2 Tank	Hot Air Drying Tank
Heating Power For #1 Tank	5000W
Heating Power For #2 Tank	3000W
Power Supply	380V/50Hz, 3 Phase
Basket Lift System	√
Oscillation System	√
Push Arm	√
Independent Electrical Cabinet With HMI	√

3. Dual Frequency Ultrasonic Cleaner Features and Application

1. Automatic cleaning and loading/unloading
2. Siemens centralized control system, easy to operate and use flexibly
3. Adopting Siemens, Schneider and other famous brands for electrical components in master

control system

4. Ultrasonic tank with TU ultrasonic generator for cleaning more thoroughly
5. Working time, heating temperature and power level etc on each tank can be set by user
6. Material SUS304 imported from South Korea POSCO

clangsonic

Cleanness is endless

Application:

The ultrasonic cleaning machine is suitable for cleaning circuit boards, bearing components, optical lenses, motorcycle part, ion plating part, electroplating parts, audioprefixes, clock parts, semiconductor wafers, magnetic materials, polyester.

1. Jewelry (Jewels, Jade, Gold and Silver)



2. Auto parts (Cylinder Block, Bearing, Valvebody and so on)



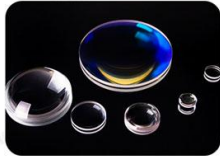
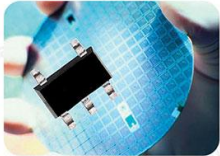
3. Precision parts (Mobile Accessories, Watch parts)



4. Material (Steel, Cooper, Plastic,)



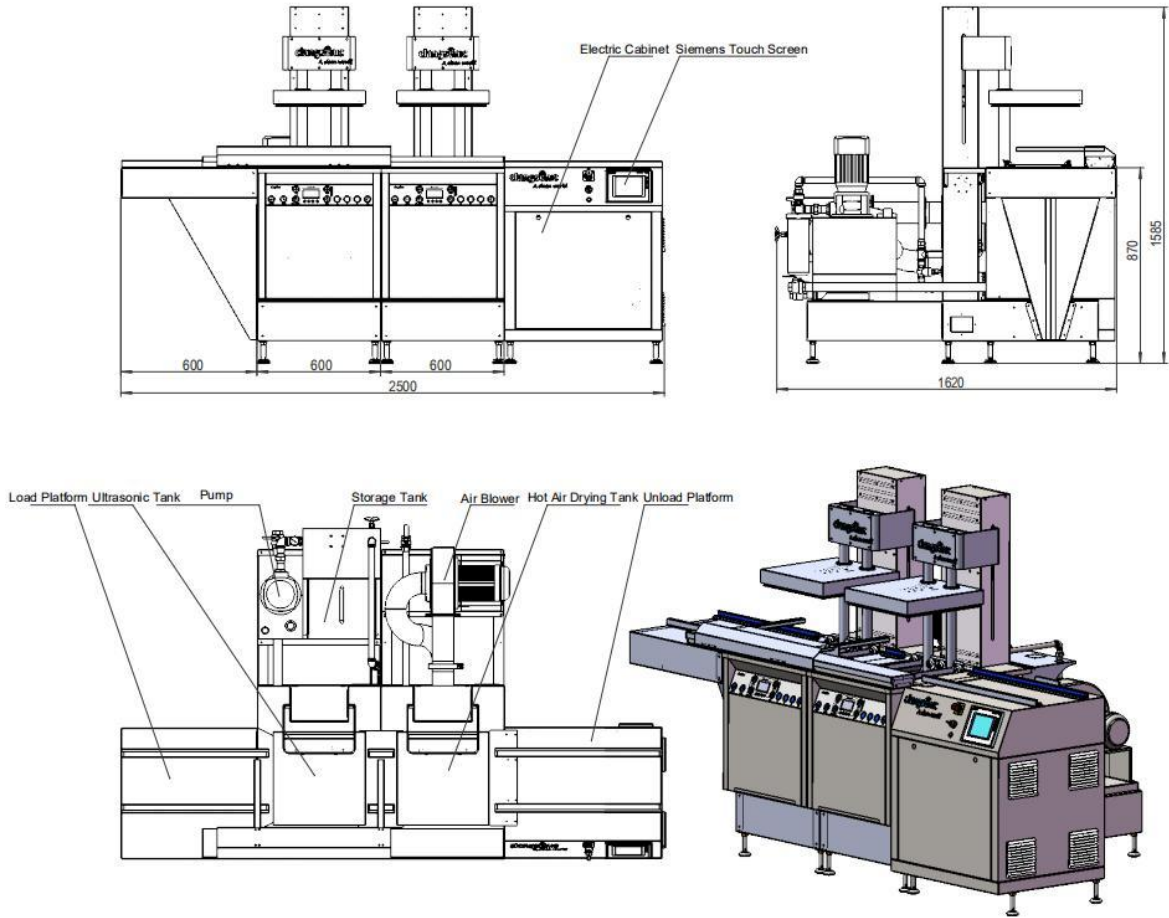
5. Optical and electronics (Semiconductor, Optical lens, Electronic parts,)



6. Appliance Application (Fruit, Stainless Steel Cutlery, Crockery)



4. Details Images



5. Company Qualification

clangsonic

Yuhuan Clangsonic Ultrasonic Co., Ltd. is a professional engaged in ultrasonic transducer, ultrasonic shock box, ultrasonic (generator) power and ultrasonic equipment research and application of the manufacturer.

Since 2003 the company since its establishment, unswervingly adhere to the higher quality and better service as our ultimate goal.

Our products are exported to the world more than 40 countries and regions. To provide customers with a full range of ultrasonic products and solutions, so that waves of the company to become a global customer real partners.



The company has an effective construction area of over 6,000 square meters, with imported Tian Tian, Baichao sheet metal bending machine, KUKA robot, as well as the Swedish fuse factory, and CNC sawing machine, CNC lathe, CNC milling machine and other equipment, making the product more reliable.

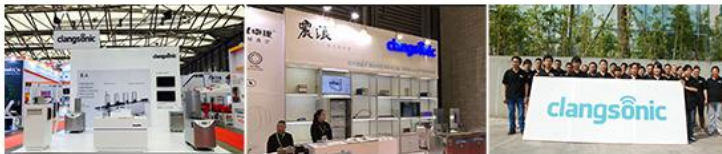
Visit Factory



Workshop



Exhibition





6. Deliver, Shipping and Serving





The packing is adopting exportable wooden box or pallet, wrapped with moisture-proof material which can protect the machine from dust and moisture during sea shipment.

CLANGSONIC

Shipping & Payment

Started working again,Started working again,Started working again.



7. FAQ

1. Are you manufacturer or trading company?

We are manufacturer. All the core components (ultrasonic transducer, ultrasonic generator) are home-made by ourselves.

2. Do you accept OEM and ODM?

Yes, we also have profession R&D teams (ultrasonic transducer team, ultrasonic generator team and mechanical design team) to responds your special needs quickly.

3. Delivery time

Standard products can be delivered within 7 working days. Customized machine depend on the design.

4. Warranty

We guarantee quality of the products for a period of 1 year. If any quality problem within warranty, we'll provide free spare parts or repairing service.

5. Do you provide trial cleaning service?

Yes, you're welcome to send the workpieces for trial cleaning. We'll send you video and report about the test. It's free service.

6. Can you provide ultrasonic transducer or generator if any failure?

Yes, ultrasonic transducer and ultrasonic generator are designed and manufactured by ourselves. We can send the right parts quickly for replacement.

7. Payment Methods?

T/T ,L/C, D/P ,D/A, West Union , Paypal, MoneyGram ,Escrow .

8. Which frequency and power is suitable for our workpiece?

Please contact us and provide details as specific as you can. Information includes: the size, material, weight and dirt of your workpiece and cleaning tank dimension etc.